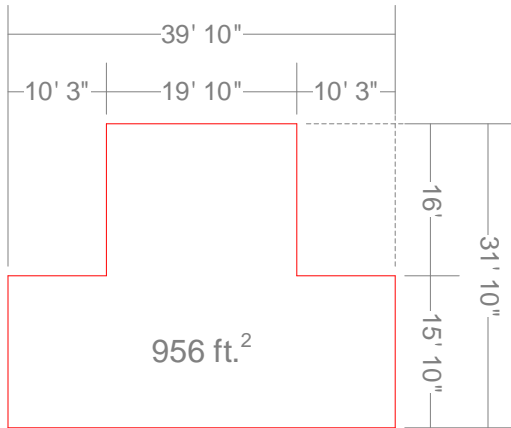




Lancaster Airport T-Hangars

Drawn to Scale

1" = 20'



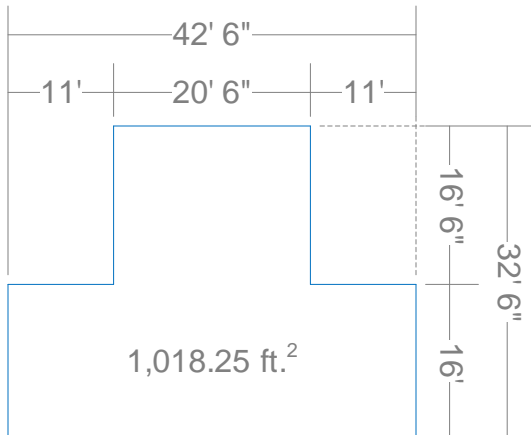
Small

Rate: \$240.00

Max Wingspan: 38' 6"

Max Length: 30' 10"

Opening: 39' 6"



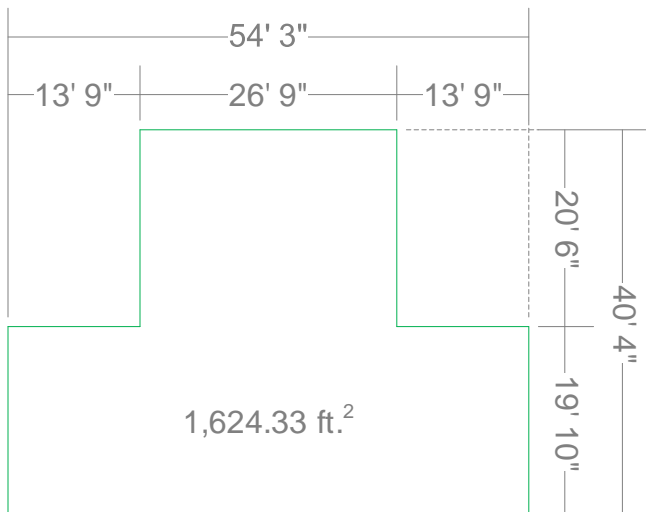
Medium

Rate: \$256.00

Max Wingspan: 41' 2"

Max Length: 31' 6"

Opening: 42' 2"



Large

Rate: \$408.00

Max Wingspan: 52' 11"

Max Length: 39' 4"

Opening: 53' 11"

Hangar Lease Details

Leases must be applied for via a *Hangar Waiting List Application Form*. A \$25.00 application fee is required.

When accepted, the lessee must fill out and sign a lease with *Lancaster Regional Airport*. Lease terms are on a month to month basis and require 30 days notice before vacating. A key and/or combination to your leased premises must be provided to *Lancaster Regional Airport* administration.

Airport Rules and Regulations, Airport Minimum Standards, and the Hangar Waiting List Policy are available online at www.lancasterregionalairport.com in the *Tenant Information* section.

FBO hours are from 7:00AM – 6:00PM Mon.-Thu & 7:00AM – 7:00PM Fri.-Sun. Self Serve 100LL & JET-A is available 24 hours a day. One *Gate Card* is available for after hours access to the airport upon request.

Contact Information:

Phone: 972-227-5721

Email: kbenbrook@lancaster-tx.com

Address: 950 Ferris Road

Lancaster, TX 75146